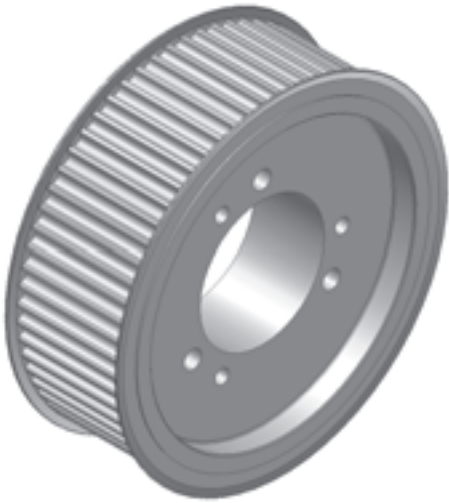


HTD SPROCKET



SYNCHRONOUS DRIVES

HTD synchronous belt drives combine the positive timing action of gears with the flexibility, speed and low noise level of belts. Baldor•Maska HTD sprockets are manufactured in various sizes, dimensions and capacities to meet industry requirements -- from speeds as low as 10 RPM to speeds over 5,000 RPM and horsepower ratings from fractional to more than 250 HP.

DID YOU KNOW THAT...

- All parts are completely machined in cast iron; some parts made from steel
- Positive, non-slip drive
- No lubrication necessary, non-stretch
- Smooth operation: no chain drive that results in vibration and speed variation
- Clean operation, long-life expectancy, low maintenance
- Quiet; no metal-to-metal contact

IMPORTANT REMINDER



- Baldor does not recommend using HTD sprockets with QD bushings that do not have a keyseat.
- The synchronous sprockets detailed in the following tables are all stock sizes. All dimensions include the sprocket with the QD bushing in place and are in inches.

HOW TO ORDER

EXAMPLE: P64-8M-50-SK

| P64 | 8M | 50 | SK |
|-------------|--------------------------------|----|----|
| P64: | NUMBER OF TEETH (64) | | |
| 8M: | TOOTH PITCH (8mm) | | |
| 50: | HIGH TORQUE BELT WIDTH (50mm) | | |
| SK: | HUB SIZE RELATED TO QD BUSHING | | |

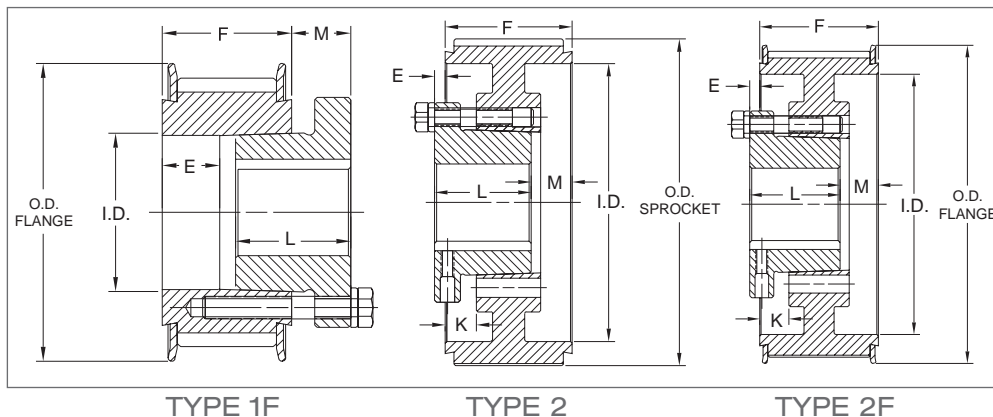
1. All Charts: The type of sheave construction is indicated in the column entitled « T ». The number refers to the drawing and the letter as follows: A = arms; B = block; W = web; F = flanges
2. All dimensions are to the closest fraction.
3. Weight for all items is approximate.

8 MM PITCH X 20 MM

DIMENSIONS

| Part No | List Price \$ | Bushing | Number of Teeth | Diameters | | | I.D. | Type | Dimensions (inches) | | | | Bore Range | | Wt |
|---|---------------|---------|-----------------|-------------|----------|--------|------|------|---------------------|-------|---------|-------|------------|---------|-------|
| | | | | Pitch Diam. | O.D. | | | | E | K | L | M | Min. | Max. | |
| | | | | | Sprocket | Flange | | | | | | | | | |
| For Belts 3/4" (20mm) wide - 8mm pitch (8M-20) - Face width (F) = 1 1/8" | | | | | | | | | | | | | | | |
| *P24-8M-20-JA | 53.00 | JA | 24 | 2.406 | 2.352 | 2.60 | 1.34 | 1B F | 33/64 | ... | 1 | 41/64 | 1/2 | 1 1/4 | 0.85 |
| P26-8M-20-JA | 54.00 | JA | 26 | 2.607 | 2.553 | 2.76 | 1.34 | 1B F | 33/64 | ... | 1 | 41/64 | 1/2 | 1 1/4 | 0.95 |
| *P28-8M-20-L | 55.00 | L | 28 | 2.807 | 2.759 | 3.11 | 1.60 | 1B F | 17/32 | ... | 1 11/32 | 5/16 | 1/2 | 1 1/2 | 1.15 |
| P30-8M-20-L | 57.00 | L | 30 | 3.008 | 2.958 | 3.25 | 1.60 | 1B F | 17/32 | ... | 1 11/32 | 5/16 | 1/2 | 1 1/2 | 1.40 |
| P32-8M-20-L | 59.00 | L | 32 | 3.208 | 3.156 | 3.43 | 2.56 | 2B F | 5/16 | 7/32 | 1 11/32 | 3/32 | 1/2 | 1 1/2 | 1.35 |
| P34-8M-20-SH | 60.00 | SH | 34 | 3.409 | 3.355 | 3.58 | 2.75 | 2B F | 1/4 | 3/8 | 1 1/4 | 1/8 | 1/2 | 1 11/16 | 1.30 |
| P36-8M-20-SH | 62.00 | SH | 36 | 3.609 | 3.555 | 4.02 | 2.82 | 2B F | 1/4 | 3/8 | 1 1/4 | 1/8 | 1/2 | 1 11/16 | 1.65 |
| P38-8M-20-SH | 64.00 | SH | 38 | 3.810 | 3.756 | 4.17 | 3.00 | 2B F | 1/4 | 3/8 | 1 1/4 | 1/8 | 1/2 | 1 11/16 | 1.85 |
| P40-8M-20-SH | 68.00 | SH | 40 | 4.010 | 3.956 | 4.41 | 3.00 | 2B F | 1/4 | 3/8 | 1 1/4 | 1/8 | 1/2 | 1 11/16 | 2.20 |
| P44-8M-20-SDS | 79.00 | SDS | 44 | 4.411 | 4.357 | 4.73 | 3.50 | 2B F | 5/16 | 3/8 | 1 5/16 | 1/8 | 1/2 | 2 | 2.55 |
| P48-8M-20-SDS | 92.00 | SDS | 48 | 4.812 | 4.758 | 5.04 | 3.80 | 2B F | 5/16 | 3/8 | 1 5/16 | 1/8 | 1/2 | 2 | 3.10 |
| P56-8M-20-SDS | 102.00 | SDS | 56 | 5.614 | 5.560 | 5.91 | 4.60 | 2W F | 5/16 | 3/8 | 1 5/16 | 1/8 | 1/2 | 2 | 4.00 |
| P64-8M-20-SDS | 125.00 | SDS | 64 | 6.416 | 6.362 | 6.61 | 5.40 | 2W F | 7/32 | 15/32 | 1 5/16 | 1/8 | 1/2 | 2 | 5.20 |
| P72-8M-20-SDS | 128.00 | SDS | 72 | 7.218 | 7.164 | 7.56 | 6.20 | 2W F | 7/32 | 15/32 | 1 5/16 | 1/8 | 1/2 | 2 | 7.25 |
| P80-8M-20-SDS | 138.00 | SDS | 80 | 8.020 | 7.966 | 8.35 | 6.90 | 2W F | 7/32 | 15/32 | 1 5/16 | 1/8 | 1/2 | 2 | 8.80 |
| P90-8M-20-SDS | 142.00 | SDS | 90 | 9.023 | 8.969 | ... | 7.90 | 2W | 5/16 | 3/8 | 1 5/16 | 1/8 | 1/2 | 2 | 11.15 |

* These parts are made of steel.



SYNCHRONOUS DRIVES

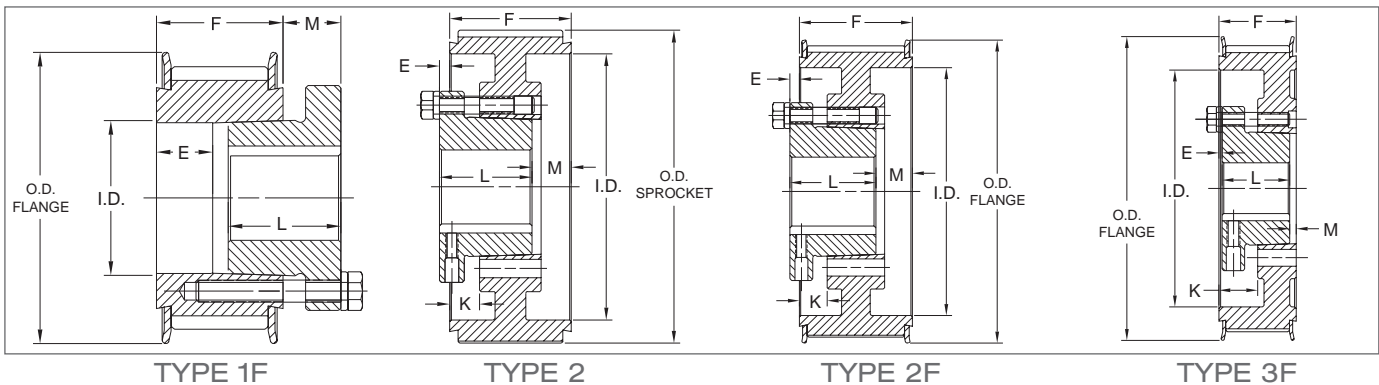
8 MM PITCH X 30 MM

DIMENSIONS

| Part No | List Price \$ | Bushing | Number of Teeth | Pitch Diam. | Diameters | | | Type | Dimensions (inches) | | | | Bore Range | | Wt |
|--|---------------|---------|-----------------|-------------|-----------|--------|-------|------|---------------------|-------|---------|--------|------------|---------|-------|
| | | | | | Sprocket | Flange | I.D. | | E | K | L | M | Min. | Max. | |
| For Belts 1 3/16" (30mm) wide - 8mm pitch (8M-30) - Face width (F) = 1 1/2" | | | | | | | | | | | | | | | |
| *P24-8M-30-JA | 54.00 | JA | 24 | 2.406 | 2.352 | 2.60 | 1.34 | 1B F | 33/64 | ... | 1 | 1 1/64 | 1/2 | 1 1/4 | 1.15 |
| P26-8M-30-JA | 56.00 | JA | 26 | 2.607 | 2.553 | 2.76 | 1.34 | 1B F | 33/64 | ... | 1 | 1 1/64 | 1/2 | 1 1/4 | 1.25 |
| *P28-8M-30-L | 59.00 | L | 28 | 2.807 | 2.759 | 3.11 | 1.60 | 1B F | 17/32 | ... | 1 11/32 | 11/16 | 1/2 | 1 1/2 | 1.40 |
| P30-8M-30-L | 60.00 | L | 30 | 3.008 | 2.958 | 3.25 | 1.60 | 1B F | 17/32 | ... | 1 11/32 | 11/16 | 1/2 | 1 1/2 | 1.70 |
| P32-8M-30-L | 62.00 | L | 32 | 3.208 | 3.156 | 3.43 | 2.56 | 3B F | 1/16 | 19/32 | 1 11/32 | 3/32 | 1/2 | 1 1/2 | 1.60 |
| P34-8M-30-SH | 63.00 | SH | 34 | 3.409 | 3.355 | 3.58 | 2.75 | 3B F | 1/8 | 3/4 | 1 1/4 | 1/8 | 1/2 | 1 11/16 | 1.55 |
| P36-8M-30-SH | 68.00 | SH | 36 | 3.609 | 3.555 | 4.02 | 2.82 | 3B F | 1/8 | 3/4 | 1 1/4 | 1/8 | 1/2 | 1 11/16 | 2.00 |
| P38-8M-30-SH | 70.00 | SH | 38 | 3.810 | 3.756 | 4.17 | 3.00 | 3B F | 1/8 | 3/4 | 1 1/4 | 1/8 | 1/2 | 1 11/16 | 2.15 |
| P40-8M-30-SH | 78.00 | SH | 40 | 4.010 | 3.956 | 4.41 | 3.00 | 3B F | 1/8 | 3/4 | 1 1/4 | 1/8 | 1/2 | 1 11/16 | 2.65 |
| P44-8M-30-SDS | 86.00 | SDS | 44 | 4.411 | 4.357 | 4.73 | 3.50 | 3B F | 1/16 | 3/4 | 1 5/16 | 1/8 | 1/2 | 2 | 2.90 |
| P48-8M-30-SDS | 93.00 | SDS | 48 | 4.812 | 4.758 | 5.04 | 3.80 | 3B F | 1/16 | 3/4 | 1 5/16 | 1/8 | 1/2 | 2 | 3.55 |
| P56-8M-30-SDS | 104.00 | SDS | 56 | 5.614 | 5.560 | 5.91 | 4.60 | 3W F | 1/16 | 3/4 | 1 5/16 | 1/8 | 1/2 | 2 | 4.65 |
| P64-8M-30-SK | 126.00 | SK | 64 | 6.416 | 6.362 | 6.61 | 5.40 | 2B F | 15/32 | 11/32 | 1 7/8 | 3/16 | 1/2 | 2 5/8 | 8.45 |
| P72-8M-30-SK | 138.00 | SK | 72 | 7.218 | 7.164 | 7.56 | 6.20 | 2W F | 15/32 | 11/32 | 1 7/8 | 3/16 | 1/2 | 2 5/8 | 8.75 |
| P80-8M-30-SK | 142.00 | SK | 80 | 8.020 | 7.966 | 8.35 | 6.90 | 2W F | 15/32 | 11/32 | 1 7/8 | 3/16 | 1/2 | 2 5/8 | 10.80 |
| P90-8M-30-SK | 146.00 | SK | 90 | 9.023 | 8.969 | ... | 7.90 | 2W | 9/16 | 1/4 | 1 7/8 | 3/16 | 1/2 | 2 5/8 | 13.00 |
| P112-8M-30-SK | 186.00 | SK | 112 | 11.229 | 11.175 | ... | 10.00 | 2A | 9/16 | 1/4 | 1 7/8 | 3/16 | 1/2 | 2 5/8 | 14.25 |

SYNCHRONOUS DRIVES

* These parts are made of steel.

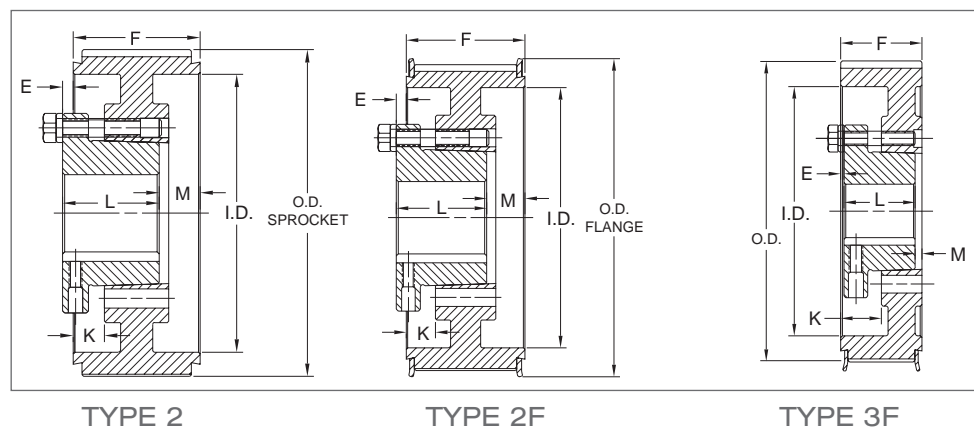


8 MM PITCH X 50 MM

DIMENSIONS

| Part No | List Price \$ | Bushing | Number of Teeth | Diameters | | | Type | Dimensions (inches) | | | | Bore Range | | Wt | |
|---|---------------|---------|-----------------|-------------|----------|--------|-------|---------------------|-------|-------|---------|------------|------|---------|-------|
| | | | | Pitch Diam. | O.D. | | | E | K | L | M | Min. | Max. | | |
| | | | | | Sprocket | Flange | | | | | | | | | I.D. |
| For Belts 2" (50mm) wide - 8mm pitch (8M-50) - Face width (F) = 2 3/8" | | | | | | | | | | | | | | | |
| P28-8M-50-JA | 80.00 | JA | 28 | 2.807 | 2.759 | 3.11 | 2.09 | 3B F | 31/64 | 1 | 1 | 57/64 | 1/2 | 1 1/4 | 1.60 |
| P30-8M-50-JA | 82.00 | JA | 30 | 3.008 | 2.958 | 3.25 | 2.18 | 3B F | 31/64 | 1 | 1 | 57/64 | 1/2 | 1 1/4 | 1.95 |
| P32-8M-50-L | 83.00 | L | 32 | 3.208 | 3.156 | 3.43 | 2.56 | 3B F | 11/32 | 7/8 | 1 11/32 | 11/16 | 1/2 | 1 1/2 | 2.05 |
| P34-8M-50-SH | 84.00 | SH | 34 | 3.409 | 3.355 | 3.58 | 2.75 | 2B F | 1/8 | 1/2 | 1 1/4 | 1 1/4 | 1/2 | 1 11/16 | 2.00 |
| P36-8M-50-SH | 85.00 | SH | 36 | 3.609 | 3.555 | 4.02 | 2.82 | 2B F | 1/8 | 1/2 | 1 1/4 | 1 1/4 | 1/2 | 1 11/16 | 2.65 |
| P38-8M-50-SH | 86.00 | SH | 38 | 3.810 | 3.756 | 4.17 | 3.00 | 2B F | 1/8 | 1/2 | 1 1/4 | 1 1/4 | 1/2 | 1 11/16 | 2.85 |
| P40-8M-50-SH | 88.00 | SH | 40 | 4.010 | 3.956 | 4.41 | 3.00 | 2B F | 1/8 | 1/2 | 1 1/4 | 1 1/4 | 1/2 | 1 11/16 | 3.60 |
| P44-8M-50-SD | 94.00 | SD | 44 | 4.411 | 4.357 | 4.73 | 3.50 | 2B F | 1/8 | 9/16 | 1 13/16 | 11/16 | 1/2 | 2 | 4.55 |
| P48-8M-50-SD | 98.00 | SD | 48 | 4.812 | 4.758 | 5.04 | 3.80 | 2B F | 1/8 | 9/16 | 1 13/16 | 11/16 | 1/2 | 2 | 5.80 |
| P56-8M-50-SK | 115.00 | SK | 56 | 5.614 | 5.560 | 5.91 | 4.60 | 2B F | 1/4 | 9/16 | 1 7/8 | 3/4 | 1/2 | 2 5/8 | 7.30 |
| P64-8M-50-SK | 130.00 | SK | 64 | 6.416 | 6.362 | 6.61 | 5.40 | 2W F | 13/64 | 39/64 | 1 7/8 | 51/64 | 1/2 | 2 5/8 | 8.60 |
| P72-8M-50-SK | 144.00 | SK | 72 | 7.218 | 7.164 | 7.56 | 6.20 | 2W F | 13/64 | 39/64 | 1 7/8 | 51/64 | 1/2 | 2 5/8 | 10.70 |
| P80-8M-50-SF | 155.00 | SF | 80 | 8.020 | 7.966 | 8.35 | 6.90 | 2W F | 13/64 | 39/64 | 2 | 43/64 | 1/2 | 2 15/16 | 14.15 |
| P90-8M-50-SF | 186.00 | SF | 90 | 9.023 | 8.969 | ... | 7.90 | 2W | 1/4 | 9/16 | 2 | 5/8 | 1/2 | 2 15/16 | 16.70 |
| P112-8M-50-SF | 234.00 | SF | 112 | 11.229 | 11.175 | ... | 10.00 | 2A | 1/4 | 9/16 | 2 | 5/8 | 1/2 | 2 15/16 | 21.65 |
| P144-8M-50-E | 373.00 | E | 144 | 14.437 | 14.383 | ... | 13.20 | 2A | 11/16 | 3/8 | 2 5/8 | 7/16 | 7/8 | 3 1/2 | 31.75 |
| P192-8M-50-E | 432.00 | E | 192 | 19.249 | 19.195 | ... | 18.00 | 2A | 11/16 | 3/8 | 2 5/8 | 7/16 | 7/8 | 3 1/2 | 50.80 |

SYNCHRONOUS DRIVES

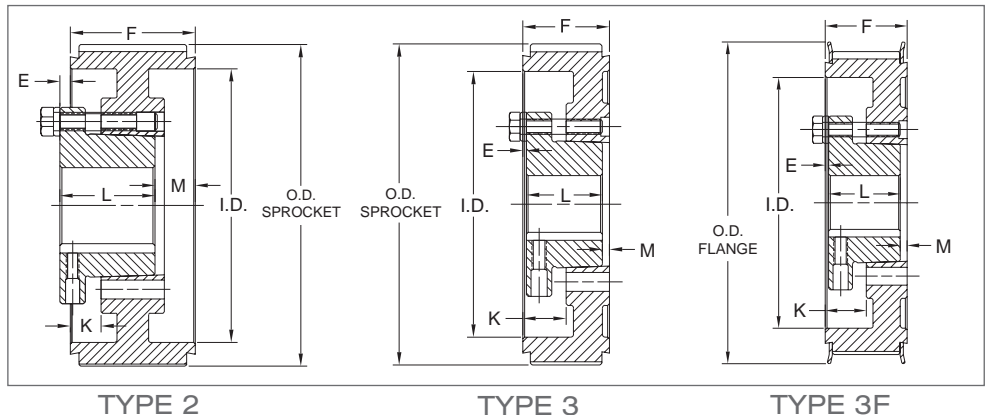
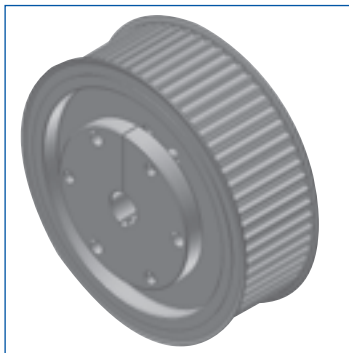


8 MM PITCH X 85 MM

DIMENSIONS

| Part No | List Price \$ | Bushing | Number of Teeth | Diameters | | | I.D. | Type | Dimensions (inches) | | | | Bore Range | | Wt |
|---|---------------|---------|-----------------|-------------|--------|------|-------|------|---------------------|---------|---------|---------|------------|---------|-------|
| | | | | Pitch Diam. | O.D. | | | | E | K | L | M | Min. | Max. | |
| For Belts 3 5/16" (85mm) wide - 8mm pitch (8M-85) - Face width (F) = 3 3/4" | | | | | | | | | | | | | | | |
| P34-8M-85-SH | 95.00 | SH | 34 | 3.409 | 3.355 | 3.58 | 2.75 | 3B F | 7/8 | 1 1/2 | 1 1/4 | 1 5/8 | 1/2 | 1 11/16 | 2.85 |
| P36-8M-85-SH | 100.00 | SH | 36 | 3.609 | 3.555 | 4.02 | 2.82 | 3B F | 7/8 | 1 1/2 | 1 1/4 | 1 5/8 | 1/2 | 1 11/16 | 3.75 |
| P38-8M-85-SH | 102.00 | SH | 38 | 3.810 | 3.756 | 4.17 | 3.00 | 3B F | 7/8 | 1 1/2 | 1 1/4 | 1 5/8 | 1/2 | 1 11/16 | 4.05 |
| P40-8M-85-SD | 106.00 | SD | 40 | 4.010 | 3.956 | 4.41 | 3.29 | 3B F | 9/16 | 1 1/4 | 1 13/16 | 1 3/8 | 1/2 | 2 | 4.50 |
| P44-8M-85-SD | 110.00 | SD | 44 | 4.411 | 4.357 | 4.73 | 3.50 | 3B F | 9/16 | 1 1/4 | 1 13/16 | 1 3/8 | 1/2 | 2 | 6.15 |
| P48-8M-85-SD | 120.00 | SD | 48 | 4.812 | 4.758 | 5.04 | 3.80 | 3B F | 9/16 | 1 1/4 | 1 13/16 | 1 3/8 | 1/2 | 2 | 7.60 |
| P56-8M-85-SK | 140.00 | SK | 56 | 5.614 | 5.560 | 5.91 | 4.60 | 3B F | 7/16 | 1 1/4 | 1 7/8 | 1 7/16 | 1/2 | 2 5/8 | 9.65 |
| P64-8M-85-SF | 163.00 | SF | 64 | 6.416 | 6.362 | 6.61 | 5.40 | 3B F | 31/64 | 1 19/64 | 2 | 1 23/64 | 1/2 | 2 5/8 | 12.20 |
| P72-8M-85-E | 177.00 | E | 72 | 7.218 | 7.164 | 7.56 | 6.20 | 3B F | 3/64 | 1 7/64 | 2 5/8 | 1 11/64 | 7/8 | 3 1/2 | 16.10 |
| P80-8M-85-E | 194.00 | E | 80 | 8.020 | 7.966 | 8.35 | 6.90 | 3B F | 3/64 | 1 7/64 | 2 5/8 | 1 11/64 | 7/8 | 3 1/2 | 21.25 |
| P90-8M-85-E | 245.00 | E | 90 | 9.023 | 8.969 | ... | 7.90 | 3W | 0 | 1 1/16 | 2 5/8 | 1 1/16 | 7/8 | 3 1/2 | 22.90 |
| P112-8M-85-F | 308.00 | F | 112 | 11.229 | 11.175 | ... | 10.00 | 2W | 19/32 | 5/8 | 3 5/8 | 23/32 | 1 | 4 | 40.55 |
| P144-8M-85-F | 430.00 | F | 144 | 14.437 | 14.383 | ... | 13.20 | 2A | 19/32 | 5/8 | 3 5/8 | 23/32 | 1 | 4 | 47.30 |
| P192-8M-85-F | 485.00 | F | 192 | 19.249 | 19.195 | ... | 18.00 | 2A | 19/32 | 5/8 | 3 5/8 | 23/32 | 1 | 4 | 68.80 |

SYNCHRONOUS DRIVES

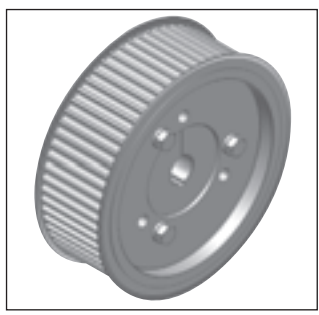
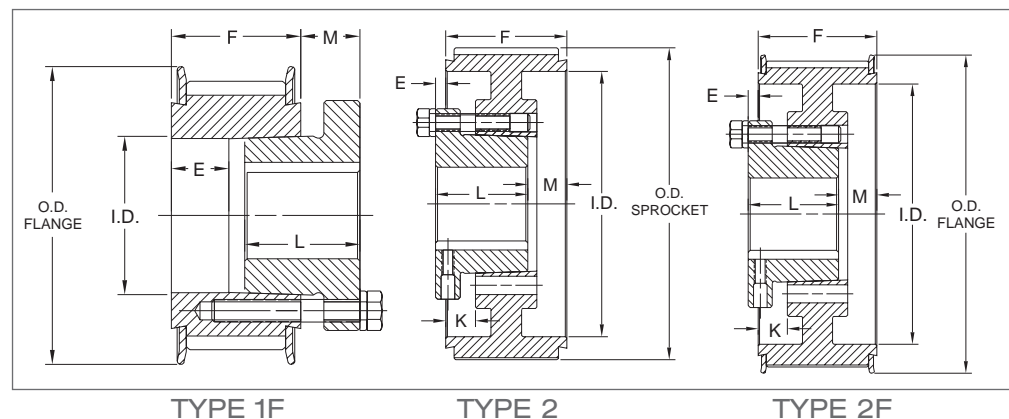


14 MM PITCH X 40 MM

DIMENSIONS

| Part No | List Price \$ | Bushing | Nb. Teeth | Diameters | | | | Type | Dimensions (inches) | | | | Bore Range | | Wt |
|---|---------------|---------|-----------|-------------|----------|--------|-------|------|---------------------|------|-------|--------|------------|---------|-------|
| | | | | Pitch Diam. | O.D. | | I.D. | | E | K | L | M | Min. | Max. | |
| | | | | | Sprocket | Flange | | | | | | | | | |
| For Belts 2" (40mm) wide - 14mm pitch (14M-40) - Face width (F) = 2 1/8" | | | | | | | | | | | | | | | |
| P28-14M-40-SK | 85.00 | SK | 28 | 4.912 | 4.802 | 5.04 | 3.13 | 1B F | 13/16 | 0 | 1 7/8 | 1 1/16 | 1/2 | 2 5/8 | 5.30 |
| P29-14M-40-SK | 90.00 | SK | 29 | 5.088 | 4.978 | 5.43 | 3.13 | 1B F | 13/16 | 0 | 1 7/8 | 1 1/16 | 1/2 | 2 5/8 | 6.00 |
| P30-14M-40-SK | 93.00 | SK | 30 | 5.263 | 5.153 | 5.43 | 4.12 | 2B F | 3/8 | 7/16 | 1 7/8 | 5/8 | 1/2 | 2 5/8 | 5.85 |
| P32-14M-40-SK | 102.00 | SK | 32 | 5.614 | 5.504 | 6.06 | 4.12 | 2B F | 3/8 | 7/16 | 1 7/8 | 5/8 | 1/2 | 2 5/8 | 7.10 |
| P34-14M-40-SK | 105.00 | SK | 34 | 5.965 | 5.855 | 6.30 | 4.12 | 2B F | 3/8 | 7/16 | 1 7/8 | 5/8 | 1/2 | 2 5/8 | 8.55 |
| P36-14M-40-SF | 115.00 | SF | 36 | 6.316 | 6.206 | 6.61 | 4.75 | 2B F | 3/8 | 7/16 | 2 | 1/2 | 1/2 | 2 15/16 | 8.50 |
| P38-14M-40-SF | 130.00 | SF | 38 | 6.667 | 6.557 | 7.21 | 4.94 | 2B F | 3/8 | 7/16 | 2 | 1/2 | 1/2 | 2 15/16 | 10.20 |
| P40-14M-40-SF | 130.00 | SF | 40 | 7.018 | 6.908 | 7.40 | 5.06 | 2B F | 3/8 | 7/16 | 2 | 1/2 | 1/2 | 2 15/16 | 11.75 |
| P44-14M-40-E | 155.00 | E | 44 | 7.720 | 7.610 | 8.31 | 6.12 | 2B F | 13/16 | 1/4 | 2 5/8 | 5/16 | 7/8 | 3 1/2 | 14.80 |
| P48-14M-40-E | 165.00 | E | 48 | 8.421 | 8.311 | 8.90 | 6.50 | 2B F | 13/16 | 1/4 | 2 5/8 | 5/16 | 7/8 | 3 1/2 | 18.65 |
| P52-14M-40-E | 172.00 | E | 52 | 9.123 | 9.013 | 9.37 | 7.18 | 2B F | 13/16 | 1/4 | 2 5/8 | 5/16 | 7/8 | 3 1/2 | 22.70 |
| P56-14M-40-E | 175.00 | E | 56 | 9.825 | 9.715 | 10.08 | 7.88 | 2B F | 13/16 | 1/4 | 2 5/8 | 5/16 | 7/8 | 3 1/2 | 27.25 |
| P60-14M-40-E | 227.00 | E | 60 | 10.527 | 10.417 | 10.79 | 8.50 | 2B F | 13/16 | 1/4 | 2 5/8 | 5/16 | 7/8 | 3 1/2 | 32.10 |
| P64-14M-40-E | 260.00 | E | 64 | 11.229 | 11.119 | 11.65 | 9.25 | 2W F | 13/16 | 1/4 | 2 5/8 | 5/16 | 7/8 | 3 1/2 | 29.20 |
| P68-14M-40-E | 265.00 | E | 68 | 11.930 | 11.820 | 12.21 | 10.00 | 2W F | 13/16 | 1/4 | 2 5/8 | 5/16 | 7/8 | 3 1/2 | 31.55 |
| P72-14M-40-E | 272.00 | E | 72 | 12.632 | 12.522 | 12.91 | 10.69 | 2W F | 13/16 | 1/4 | 2 5/8 | 5/16 | 7/8 | 3 1/2 | 35.25 |
| P80-14M-40-E | 280.00 | E | 80 | 14.036 | 13.926 | 14.29 | 12.13 | 2W F | 13/16 | 1/4 | 2 5/8 | 5/16 | 7/8 | 3 1/2 | 14.40 |
| P90-14M-40-E | 288.00 | E | 90 | 15.790 | 15.680 | ... | 14.00 | 2A | 13/16 | 1/4 | 2 5/8 | 5/16 | 7/8 | 3 1/2 | 40.70 |
| P112-14M-40-E | 365.00 | E | 112 | 19.650 | 19.540 | ... | 17.80 | 2A | 13/16 | 1/4 | 2 5/8 | 5/16 | 7/8 | 3 1/2 | 56.40 |
| P144-14M-40-E | 480.00 | E | 144 | 25.264 | 25.154 | ... | 23.38 | 2A | 13/16 | 1/4 | 2 5/8 | 5/16 | 7/8 | 3 1/2 | 78.60 |

SYNCHRONOUS DRIVES

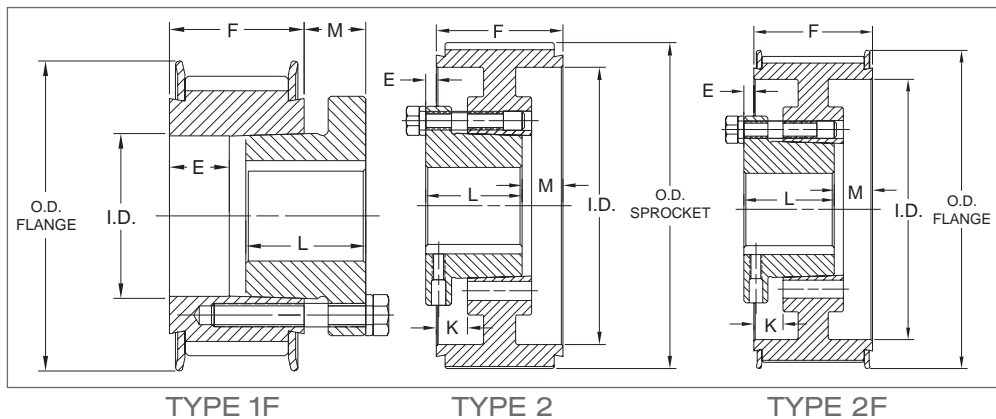


14 MM PITCH X 55 MM

DIMENSIONS

| Part No | List Price \$ | Bushing | Nb. Teeth | Diameters | | | I.D. | Type | Dimensions (inches) | | | | Bore Range | | Wt |
|---|---------------|---------|-----------|-------------|----------|--------|-------|------|---------------------|------|-------|---------|------------|---------|--------|
| | | | | Pitch Diam. | O.D. | | | | E | K | L | M | Min. | Max. | |
| | | | | | Sprocket | Flange | | | | | | | | | |
| For Belts 2 3/16" (55mm) wide - 14mm pitch (14M-55) - Face width (F) = 2 3/4" | | | | | | | | | | | | | | | |
| P28-14M-55-SK | 100.00 | SK | 28 | 4.912 | 4.802 | 5.04 | 3.13 | 1B F | 13/16 | 0 | 1 7/8 | 1 11/16 | 1/2 | 2 5/8 | 6.85 |
| P29-14M-55-SK | 105.00 | SK | 29 | 5.088 | 4.978 | 5.43 | 3.13 | 1B F | 13/16 | 0 | 1 7/8 | 1 11/16 | 1/2 | 2 5/8 | 7.55 |
| P30-14M-55-SK | 108.00 | SK | 30 | 5.263 | 5.153 | 5.43 | 4.12 | 2B F | 1/16 | 3/4 | 1 7/8 | 15/16 | 1/2 | 2 5/8 | 6.15 |
| P32-14M-55-SK | 114.00 | SK | 32 | 5.614 | 5.504 | 6.06 | 4.12 | 2B F | 1/16 | 3/4 | 1 7/8 | 15/16 | 1/2 | 2 5/8 | 8.65 |
| P34-14M-55-SK | 120.00 | SK | 34 | 5.965 | 5.855 | 6.30 | 4.12 | 2B F | 1/16 | 3/4 | 1 7/8 | 15/16 | 1/2 | 2 5/8 | 10.50 |
| P36-14M-55-SF | 125.00 | SF | 36 | 6.316 | 6.206 | 6.61 | 4.75 | 2B F | 1/16 | 3/4 | 2 | 13/16 | 1/2 | 2 15/16 | 10.10 |
| P38-14M-55-SF | 140.00 | SF | 38 | 6.667 | 6.557 | 7.21 | 4.94 | 2B F | 1/16 | 3/4 | 2 | 13/16 | 1/2 | 2 15/16 | 12.05 |
| P40-14M-55-SF | 143.00 | SF | 40 | 7.018 | 6.908 | 7.40 | 5.06 | 2B F | 1/16 | 3/4 | 2 | 13/16 | 1/2 | 2 15/16 | 14.30 |
| P44-14M-55-E | 165.00 | E | 44 | 7.720 | 7.610 | 8.31 | 6.12 | 2B F | 1/2 | 9/16 | 2 5/8 | 5/8 | 7/8 | 3 1/2 | 16.65 |
| P48-14M-55-E | 170.00 | E | 48 | 8.421 | 8.311 | 8.90 | 6.50 | 2B F | 1/2 | 9/16 | 2 5/8 | 5/8 | 7/8 | 3 1/2 | 21.65 |
| P52-14M-55-E | 178.00 | E | 52 | 9.123 | 9.013 | 9.37 | 7.18 | 2B F | 1/2 | 9/16 | 2 5/8 | 5/8 | 7/8 | 3 1/2 | 25.80 |
| P56-14M-55-E | 180.00 | E | 56 | 9.825 | 9.715 | 10.08 | 7.88 | 2B F | 1/2 | 9/16 | 2 5/8 | 5/8 | 7/8 | 3 1/2 | 31.00 |
| P60-14M-55-E | 240.00 | E | 60 | 10.527 | 10.417 | 10.79 | 8.50 | 2B F | 1/2 | 9/16 | 2 5/8 | 5/8 | 7/8 | 3 1/2 | 36.05 |
| P64-14M-55-F | 275.00 | F | 64 | 11.229 | 11.119 | 11.65 | 9.25 | 2B F | 1 3/32 | 1/8 | 3 5/8 | 7/32 | 1 | 4 | 10.25 |
| P68-14M-55-F | 285.00 | F | 68 | 11.930 | 11.820 | 12.21 | 10.00 | 2W F | 1 3/32 | 1/8 | 3 5/8 | 7/32 | 1 | 4 | 44.00 |
| P72-14M-55-F | 290.00 | F | 72 | 12.632 | 12.522 | 12.91 | 10.69 | 2W F | 1 3/32 | 1/8 | 3 5/8 | 7/32 | 1 | 4 | 46.70 |
| P80-14M-55-F | 338.00 | F | 80 | 14.036 | 13.926 | 14.29 | 12.13 | 2W F | 1 3/32 | 1/8 | 3 5/8 | 7/32 | 1 | 4 | 54.50 |
| P90-14M-55-F | 345.00 | F | 90 | 15.790 | 15.680 | ... | 14.00 | 2A | 1 3/32 | 1/8 | 3 5/8 | 7/32 | 1 | 4 | 53.30 |
| P112-14M-55-F | 405.00 | F | 112 | 19.650 | 19.540 | ... | 17.80 | 2A | 1 3/32 | 1/8 | 3 5/8 | 7/32 | 1 | 4 | 70.70 |
| P144-14M-55-F | 520.00 | F | 144 | 25.264 | 25.154 | ... | 23.38 | 2A | 1 3/32 | 1/8 | 3 5/8 | 7/32 | 1 | 4 | 95.90 |
| P168-14M-55-F | 670.00 | F | 168 | 29.475 | 29.365 | ... | 28.25 | 2A | 1 3/32 | 1/8 | 3 5/8 | 7/32 | 1 | 4 | 107.30 |
| P192-14M-55-F | 840.00 | F | 192 | 33.686 | 33.576 | ... | 32.38 | 2A | 1 3/32 | 1/8 | 3 5/8 | 7/32 | 1 | 4 | 136.20 |
| P216-14M-55-F | 1356.00 | F | 216 | 37.896 | 37.786 | ... | 36.62 | 2A | 1 3/32 | 1/8 | 3 5/8 | 7/32 | 1 | 4 | 166.20 |

SYNCHRONOUS DRIVES



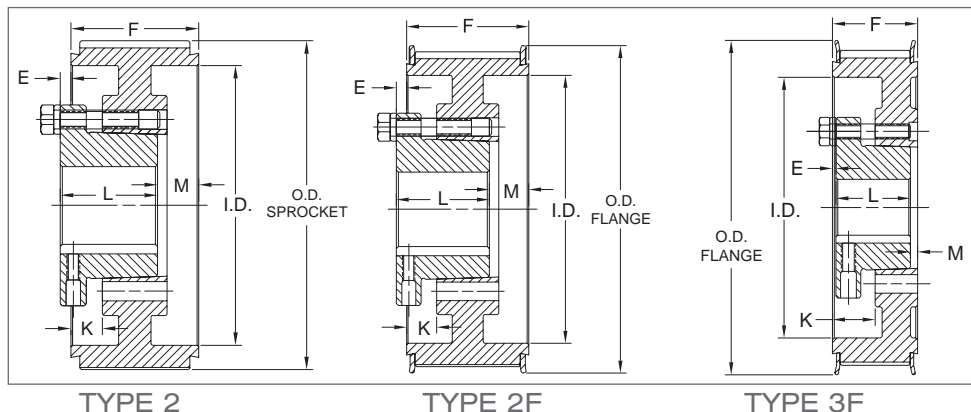
14 MM PITCH X 85 MM

DIMENSIONS

| Part No | List Price \$ | Bushing | Nb. Teeth | Diameters | | | Type | Dimensions (inches) | | | | Bore Range | | Wt | |
|---|---------------|---------|-----------|-------------|----------|--------|------|---------------------|--------|-------|---------|------------|---------|--------|------|
| | | | | Pitch Diam. | O.D. | | | I.D. | E | K | L | M | Min. | | Max. |
| | | | | | Sprocket | Flange | | | | | | | | | |
| For Belts 3 5/16" (85mm) wide - 14mm pitch (14M-85) - Face width (F) = 4" | | | | | | | | | | | | | | | |
| *P28-14M-85-SK | 130.00 | SK | 28 | 4.912 | 4.802 | 5.04 | 3B F | 3/16 | 1 | 1 7/8 | 1 15/16 | 1/2 | 2 5/8 | 6.60 | |
| *P29-14M-85-SK | 131.00 | SK | 29 | 5.088 | 4.978 | 5.43 | 3B F | 3/16 | 1 | 1 7/8 | 1 15/16 | 1/2 | 2 5/8 | 7.80 | |
| P30-14M-85-SK | 132.00 | SK | 30 | 5.263 | 5.153 | 5.43 | 3B F | 9/16 | 1 3/8 | 1 7/8 | 1 9/16 | 1/2 | 2 5/8 | 7.95 | |
| P32-14M-85-SK | 138.00 | SK | 32 | 5.614 | 5.504 | 6.06 | 3B F | 9/16 | 1 3/8 | 1 7/8 | 1 9/16 | 1/2 | 2 5/8 | 10.75 | |
| P34-14M-85-SK | 150.00 | SK | 34 | 5.965 | 5.855 | 6.30 | 3B F | 9/16 | 1 3/8 | 1 7/8 | 1 9/16 | 1/2 | 2 5/8 | 14.00 | |
| P36-14M-85-SF | 154.00 | SF | 36 | 6.316 | 6.206 | 6.61 | 3B F | 9/16 | 1 3/8 | 2 | 1 7/16 | 1/2 | 2 15/16 | 13.20 | |
| P38-14M-85-SF | 160.00 | SF | 38 | 6.667 | 6.557 | 7.21 | 3B F | 9/16 | 1 3/8 | 2 | 1 7/16 | 1/2 | 2 15/16 | 15.60 | |
| P40-14M-85-SF | 168.00 | SF | 40 | 7.018 | 6.908 | 7.40 | 3B F | 9/16 | 1 3/8 | 2 | 1 7/16 | 1/2 | 2 15/16 | 19.00 | |
| P44-14M-85-E | 180.00 | E | 44 | 7.720 | 7.610 | 8.31 | 3B F | 1/8 | 1 3/16 | 2 5/8 | 1 1/4 | 7/8 | 3 1/2 | 21.10 | |
| P48-14M-85-E | 188.00 | E | 48 | 8.421 | 8.311 | 8.90 | 3B F | 1/8 | 1 3/16 | 2 5/8 | 1 1/4 | 7/8 | 3 1/2 | 27.35 | |
| P52-14M-85-E | 220.00 | E | 52 | 9.123 | 9.013 | 9.37 | 3B F | 1/8 | 1 3/16 | 2 5/8 | 1 1/4 | 7/8 | 3 1/2 | 32.80 | |
| P56-14M-85-F | 245.00 | F | 56 | 9.825 | 9.715 | 10.08 | 2B F | 15/32 | 3/4 | 3 5/8 | 27/32 | 1 | 4 | 43.30 | |
| P60-14M-85-F | 290.00 | F | 60 | 10.527 | 10.417 | 10.79 | 2B F | 15/32 | 3/4 | 3 5/8 | 27/32 | 1 | 4 | 50.70 | |
| P64-14M-85-F | 300.00 | F | 64 | 11.229 | 11.119 | 11.65 | 2B F | 15/32 | 3/4 | 3 5/8 | 27/32 | 1 | 4 | 59.90 | |
| P68-14M-85-F | 315.00 | F | 68 | 11.930 | 11.820 | 12.21 | 2W F | 15/32 | 3/4 | 3 5/8 | 27/32 | 1 | 4 | 51.20 | |
| P72-14M-85-F | 320.00 | F | 72 | 12.632 | 12.522 | 12.91 | 2W F | 15/32 | 3/4 | 3 5/8 | 27/32 | 1 | 4 | 55.70 | |
| P80-14M-85-F | 380.00 | F | 80 | 14.036 | 13.926 | 14.29 | 2W F | 15/32 | 3/4 | 3 5/8 | 27/32 | 1 | 4 | 64.40 | |
| P90-14M-85-F | 390.00 | F | 90 | 15.790 | 15.680 | ... | 2A | 15/32 | 3/4 | 3 5/8 | 27/32 | 1 | 4 | 69.50 | |
| P112-14M-85-F | 460.00 | F | 112 | 19.650 | 19.540 | ... | 2A | 15/32 | 3/4 | 3 5/8 | 27/32 | 1 | 4 | 93.70 | |
| P144-14M-85-F | 590.00 | F | 144 | 25.264 | 25.154 | ... | 2A | 15/32 | 3/4 | 3 5/8 | 27/32 | 1 | 4 | 130.50 | |
| P168-14M-85-J | 780.00 | J | 168 | 29.475 | 29.365 | ... | 2A | 1 | 13/32 | 4 1/2 | 1/2 | 1 7/16 | 4 1/2 | 153.20 | |
| P192-14M-85-J | 940.00 | J | 192 | 33.686 | 33.576 | ... | 2A | 1 | 13/32 | 4 1/2 | 1/2 | 1 7/16 | 4 1/2 | 190.20 | |
| P216-14M-85-J | 1470.00 | J | 216 | 37.896 | 37.786 | ... | 2A | 1 | 13/32 | 4 1/2 | 1/2 | 1 7/16 | 4 1/2 | 242.80 | |

SYNCHRONOUS DRIVES

* These parts are made of steel.



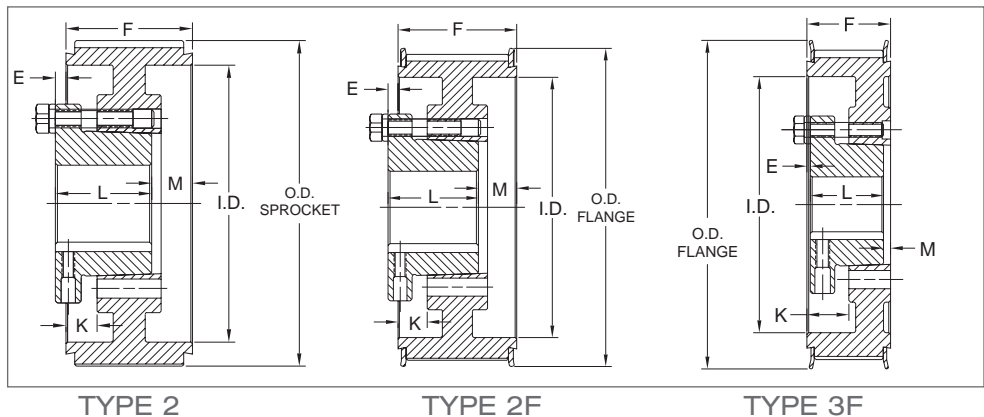
14 MM PITCH X 115 MM

DIMENSIONS

SYNCHRONOUS DRIVES

| Part No | List Price \$ | Bushing | Nb. Teeth | Diameters | | | I.D. | Type | Dimensions (inches) | | | | Bore Range | | Wt |
|--|---------------|---------|-----------|-------------|----------|--------|-------|------|---------------------|---------|-------|---------|------------|---------|--------|
| | | | | Pitch Diam. | Sprocket | Flange | | | E | K | L | M | Min. | Max. | |
| For Belts 4 1/2" (115mm) wide - 14mm pitch (14M-115) - Face width (F) = 5 1/4" | | | | | | | | | | | | | | | |
| *P28-14M-115-SK | 160.00 | SK | 28 | 4.912 | 4.802 | 5.04 | 3.96 | 3B F | 3/16 | 1 | 1 7/8 | 3 3/16 | 1/2 | 2 5/8 | 12.00 |
| *P29-14M-115-SK | 165.00 | SK | 29 | 5.088 | 4.978 | 5.43 | 3.96 | 3B F | 3/16 | 1 | 1 7/8 | 3 3/16 | 1/2 | 2 5/8 | 13.60 |
| P30-14M-115-SK | 169.00 | SK | 30 | 5.263 | 5.153 | 5.43 | 4.12 | 3B F | 1 3/16 | 2 | 1 7/8 | 2 3/16 | 1/2 | 2 5/8 | 9.35 |
| P32-14M-115-SK | 172.00 | SK | 32 | 5.614 | 5.504 | 6.06 | 4.12 | 3B F | 1 3/16 | 2 | 1 7/8 | 2 3/16 | 1/2 | 2 5/8 | 13.25 |
| P34-14M-115-SK | 183.00 | SK | 34 | 5.965 | 5.855 | 6.30 | 4.12 | 3B F | 1 3/16 | 2 | 1 7/8 | 2 3/16 | 1/2 | 2 5/8 | 17.30 |
| P36-14M-115-SF | 190.00 | SF | 36 | 6.316 | 6.206 | 6.61 | 4.75 | 3B F | 1 3/16 | 2 | 2 | 2 1/16 | 1/2 | 2 15/16 | 16.55 |
| P38-14M-115-SF | 200.00 | SF | 38 | 6.667 | 6.557 | 7.21 | 4.94 | 3B F | 1 3/16 | 2 | 2 | 2 1/16 | 1/2 | 2 15/16 | 19.70 |
| P40-14M-115-SF | 208.00 | SF | 40 | 7.018 | 6.908 | 7.40 | 5.06 | 3B F | 1 3/16 | 2 | 2 | 2 1/16 | 1/2 | 2 15/16 | 23.55 |
| P44-14M-115-E | 220.00 | E | 44 | 7.720 | 7.610 | 8.31 | 6.12 | 3B F | 3/4 | 1 13/16 | 2 5/8 | 1 7/8 | 7/8 | 3 1/2 | 24.95 |
| P48-14M-115-E | 236.00 | E | 48 | 8.421 | 8.311 | 8.90 | 6.50 | 3B F | 3/4 | 1 13/16 | 2 5/8 | 1 7/8 | 7/8 | 3 1/2 | 33.25 |
| P52-14M-115-F | 275.00 | F | 52 | 9.123 | 9.013 | 9.37 | 7.18 | 3B F | 5/32 | 1 3/8 | 3 5/8 | 1 15/32 | 1 | 4 | 42.10 |
| P56-14M-115-F | 285.00 | F | 56 | 9.825 | 9.715 | 10.08 | 7.88 | 3B F | 5/32 | 1 3/8 | 3 5/8 | 1 15/32 | 1 | 4 | 49.70 |
| P60-14M-115-F | 340.00 | F | 60 | 10.527 | 10.417 | 10.79 | 8.50 | 3B F | 5/32 | 1 3/8 | 3 5/8 | 1 15/32 | 1 | 4 | 58.50 |
| P64-14M-115-J | 365.00 | J | 64 | 11.229 | 11.119 | 11.65 | 9.25 | 2B F | 13/32 | 1 | 4 1/2 | 1 5/32 | 1 7/16 | 4 1/2 | 71.20 |
| P68-14M-115-J | 382.00 | J | 68 | 11.930 | 11.820 | 12.21 | 10.00 | 2B F | 13/32 | 1 | 4 1/2 | 1 5/32 | 1 7/16 | 4 1/2 | 82.10 |
| P72-14M-115-J | 390.00 | J | 72 | 12.632 | 12.522 | 12.91 | 10.69 | 2B F | 13/32 | 1 | 4 1/2 | 1 5/32 | 1 7/16 | 4 1/2 | 94.00 |
| P80-14M-115-J | 450.00 | J | 80 | 14.036 | 13.926 | 14.29 | 12.13 | 2W F | 13/32 | 1 | 4 1/2 | 1 5/32 | 1 7/16 | 4 1/2 | 79.80 |
| P90-14M-115-J | 500.00 | J | 90 | 15.790 | 15.680 | ... | 14.00 | 2W | 13/32 | 1 | 4 1/2 | 1 5/32 | 1 7/16 | 4 1/2 | 93.60 |
| P112-14M-115-J | 620.00 | J | 112 | 19.650 | 19.540 | ... | 17.80 | 2A | 13/32 | 1 | 4 1/2 | 1 5/32 | 1 7/16 | 4 1/2 | 117.20 |
| P144-14M-115-J | 780.00 | J | 144 | 25.264 | 25.154 | ... | 23.38 | 2A | 13/32 | 1 | 4 1/2 | 1 5/32 | 1 7/16 | 4 1/2 | 161.70 |
| P168-14M-115-M | 970.00 | M | 168 | 29.475 | 29.365 | ... | 28.09 | 2A | 1 19/32 | 1/16 | 6 3/4 | 3/32 | 2 | 5 1/2 | 203.40 |
| P192-14M-115-M | 1120.00 | M | 192 | 33.686 | 33.576 | ... | 32.25 | 2A | 1 19/32 | 1/16 | 6 3/4 | 3/32 | 2 | 5 1/2 | 251.10 |
| P216-14M-115-M | 1690.00 | M | 216 | 37.896 | 37.786 | ... | 36.38 | 2A | 1 19/32 | 1/16 | 6 3/4 | 3/32 | 2 | 5 1/2 | 306.70 |

* These parts are made of steel.



14 MM PITCH X 170 MM

DIMENSIONS

| Part No | List Price \$ | Bushing | Nb. Teeth | Diameters | | | I.D. | Type | Dimensions (inches) | | | | Bore Range | | Wt |
|--|---------------|---------|-----------|-------------|----------|--------|-------|------|---------------------|--------|-------|---------|------------|---------|--------|
| | | | | Pitch Diam. | O.D. | | | | E | K | L | M | Min. | Max. | |
| | | | | | Sprocket | Flange | | | | | | | | | |
| For Belts 6 11/16" (170mm) wide - 14mm pitch (14M-170) - Face width (F) = 7 3/8" | | | | | | | | | | | | | | | |
| P36-14M-170-SF | 270.00 | SF | 36 | 6.316 | 6.206 | 6.61 | 4.75 | 3B F | 2 1/4 | 3 1/16 | 2 | 3 1/8 | 1/2 | 2 15/16 | 21.70 |
| P38-14M-170-SF | 280.00 | SF | 38 | 6.667 | 6.557 | 7.21 | 4.94 | 3B F | 2 1/4 | 3 1/16 | 2 | 3 1/8 | 1/2 | 2 15/16 | 25.90 |
| P40-14M-170-SF | 290.00 | SF | 40 | 7.018 | 6.908 | 7.40 | 5.06 | 3B F | 2 1/4 | 3 1/16 | 2 | 3 1/8 | 1/2 | 2 15/16 | 31.20 |
| P44-14M-170-E | 300.00 | E | 44 | 7.720 | 7.610 | 8.31 | 6.12 | 3B F | 1 13/16 | 2 7/8 | 2 5/8 | 2 15/16 | 7/8 | 3 1/2 | 31.65 |
| P48-14M-170-E | 302.00 | E | 48 | 8.421 | 8.311 | 8.91 | 6.50 | 3B F | 1 13/16 | 2 7/8 | 2 5/8 | 2 15/16 | 7/8 | 3 1/2 | 42.30 |
| P52-14M-170-F | 320.00 | F | 52 | 9.123 | 9.013 | 9.37 | 7.18 | 3B F | 1 7/32 | 2 7/16 | 3 5/8 | 2 17/32 | 1 | 4 | 52.40 |
| P56-14M-170-F | 330.00 | F | 56 | 9.825 | 9.715 | 10.08 | 7.88 | 3B F | 1 7/32 | 2 7/16 | 3 5/8 | 2 17/32 | 1 | 4 | 61.40 |
| P60-14M-170-J | 430.00 | J | 60 | 10.527 | 10.417 | 10.79 | 8.50 | 3B F | 23/32 | 2 1/8 | 4 1/2 | 2 5/32 | 1 7/16 | 4 1/2 | 74.30 |
| P64-14M-170-J | 460.00 | J | 64 | 11.229 | 11.119 | 11.65 | 9.25 | 3B F | 23/32 | 2 1/8 | 4 1/2 | 2 5/32 | 1 7/16 | 4 1/2 | 85.10 |
| P68-14M-170-J | 490.00 | J | 68 | 11.930 | 11.820 | 12.21 | 10.00 | 3B F | 23/32 | 2 1/8 | 4 1/2 | 2 5/32 | 1 7/16 | 4 1/2 | 96.50 |
| P72-14M-170-J | 520.00 | J | 72 | 12.632 | 12.522 | 12.91 | 10.69 | 3B F | 23/32 | 2 1/8 | 4 1/2 | 2 5/32 | 1 7/16 | 4 1/2 | 109.40 |
| P80-14M-170-J | 530.00 | J | 80 | 14.036 | 13.926 | 14.29 | 12.13 | 3W F | 23/32 | 2 1/8 | 4 1/2 | 2 5/32 | 1 7/16 | 4 1/2 | 102.00 |
| P90-14M-170-J | 610.00 | J | 90 | 15.790 | 15.680 | ... | 14.00 | 3W | 23/32 | 2 1/8 | 4 1/2 | 2 5/32 | 1 7/16 | 4 1/2 | 114.70 |
| P112-14M-170-M | 850.00 | M | 112 | 19.650 | 19.540 | ... | 17.80 | 2A | 7/32 | 1 7/16 | 6 3/4 | 27/32 | 2 | 5 1/2 | 170.60 |
| P144-14M-170-M | 1050.00 | M | 144 | 25.264 | 25.154 | ... | 23.38 | 2A | 7/32 | 1 7/16 | 6 3/4 | 27/32 | 2 | 5 1/2 | 230.80 |
| P168-14M-170-M | 1360.00 | M | 168 | 29.475 | 29.365 | ... | 28.09 | 2A | 7/32 | 1 7/16 | 6 3/4 | 27/32 | 2 | 5 1/2 | 232.80 |
| P192-14M-170-M | 1460.00 | M | 192 | 33.686 | 33.576 | ... | 32.25 | 2A | 7/32 | 1 7/16 | 6 3/4 | 27/32 | 2 | 5 1/2 | 285.00 |
| P216-14M-170-M | 2080.00 | M | 216 | 37.896 | 37.786 | ... | 36.38 | 2A | 7/32 | 1 7/16 | 6 3/4 | 27/32 | 2 | 5 1/2 | 348.10 |

SYNCHRONOUS DRIVES

