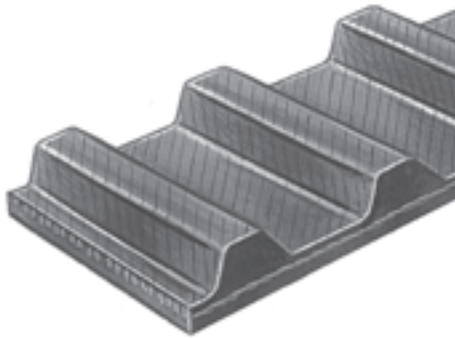


SYNCHRONOUS BELTS: TRAPEZOIDAL



DID YOU KNOW THAT...

- Trapezoidal belts have fiberglass tension members and neoprene body with nylon covered teeth, all bonded together for maximum strength
- Stock trapezoidal synchronous belts are listed on the following pages. For non-stock widths, specified widths from our large supply of belt sleeves are available on special order.
- Mini-pitch MXL (.080-inch pitch) trapezoidal synchronous belts are also available.

HOW TO ORDER

EXAMPLE: **TB270XL037**

TB

270

XL

037

TB: TIMING BELT
270: BELT PITCH LENGTH (27.0)
XL: TOOTH PITCH (1/5")
037: BELT WIDTH

XL - EXTRA
LIGHT 1/5" PITCH

L- LIGHT 3/8" PITCH

Belt Length & Pitch Code	No. of Teeth	Width 037 (3/8")	
		List Price \$	Approx. Weight (lbs.)
60XL	30	7.68	0.009
70XL	35	8.00	0.011
80XL	40	8.24	0.012
90XL	45	8.48	0.014
100XL	50	8.72	0.015
110XL	55	9.04	0.017
120XL	60	9.20	0.019
130XL	65	9.52	0.02
140XL	70	9.76	0.022
142XL	71	9.80	0.023
150XL	75	10.00	0.023
160XL	80	10.32	0.025
170XL	85	10.48	0.026
178XL	89	10.74	0.028
180XL	90	10.80	0.028
190XL	95	11.04	0.029
194XL	97	11.28	0.03
200XL	100	11.28	0.031
210XL	105	11.52	0.032
220XL	110	11.84	0.034
230XL	115	12.00	0.035
240XL	120	12.52	0.037
250XL	125	12.56	0.039
260XL	130	12.80	0.04
270XL	135	13.16	0.041
344XL	172	14.96	0.051

Belt Length & Pitch Code	No. of Teeth	Width					
		050 (1/2")		075 (3/4")		100 (1")	
		List Price \$	Approx. Weight (lbs.)	List Price \$	Approx. Weight (lbs.)	List Price \$	Approx. Weight (lbs.)
124L	33	15.36	.02	21.84	.05	28.00	.07
135L	36	POR	.02	POR	.05	POR	.07
150L	40	16.96	.03	24.24	.05	31.20	.07
165L	44	17.44	.03	25.04	.06	32.28	.08
173L	46	18.00	.03	25.84	.06	33.40	.08
187L	50	18.48	.04	26.64	.07	34.48	.09
202L	54	19.60	.04	28.24	.08	36.68	.09
210L	56	20.08	.04	29.04	.08	37.68	.09
225L	60	20.64	.05	29.84	.08	38.76	.10
236L	63	21.42	.06	31.04	.08	40.42	.10
240L	64	21.68	.06	31.44	.08	40.96	.12
244L	65	21.80	.06	31.64	.08	41.24	.12
255L	68	22.16	.06	32.24	.09	42.04	.12
270L	72	23.20	.06	33.84	.10	44.16	.13
285L	76	23.76	.07	34.72	.10	45.24	.14
300L	80	24.80	.07	36.24	.11	47.44	.14
320L	85	25.80	.07	37.80	.12	49.40	.15
322L	86	25.84	.07	37.92	.12	49.60	.15
345L	92	26.88	.08	39.52	.13	51.72	.16
367L	98	27.84	.08	41.12	.13	53.88	.17
390L	104	29.44	.09	43.52	.14	57.08	.18
405L	108	POR	.09	POR	.14	POR	.19
412L	110	POR	.10	POR	.15	POR	.20
420L	112	30.96	.10	45.92	.15	60.36	.20
424L	113	31.16	.11	46.24	.16	60.76	.22
450L	120	32.56	.11	48.40	.16	63.56	.22
454L	121	32.76	.11	48.70	.16	63.98	.22
480L	128	34.16	.12	50.80	.17	66.84	.23
510L	136	35.20	.12	52.40	.18	69.04	.24
525L	140	POR	.12	POR	.19	POR	.25
540L	144	37.28	.13	55.60	.20	73.32	.26
600L	160	40.40	.13	60.48	.21	79.80	.28
660L	178	43.52	.14	66.52	.23	87.78	.29
728L	194	POR	.15	POR	.25	POR	.30
817L	218	53.60	.18	80.40	.29	107.20	.36
915L	244	POR	.20	POR	.32	POR	.40

P.O.R. = Price on request

BELTS

H - HEAVY 1/2" PITCH

Belt Length & Pitch Code	No. of Teeth	Width									
		075 (3/4")		100 (1")		150 (1-1/2")		200 (2")		300 (3")	
		List Price \$	Approx. Weight (lbs.)	List Price \$	Approx. Weight (lbs.)	List Price \$	Approx. Weight (lbs.)	List Price \$	Approx. Weight (lbs.)	List Price \$	Approx. Weight (lbs.)
240H	48	32.56	.13	42.00	.20	60.72	.28	79.52	.41	117.04	.56
255H	51	33.80	.14	43.64	.21	63.24	.30	82.80	.42	122.00	.60
270H	54	35.04	.15	45.28	.21	65.76	.31	86.08	.43	126.96	.63
300H	60	37.52	.17	48.64	.23	70.72	.35	92.72	.47	136.88	.70
330H	66	40.08	.19	51.92	.25	75.68	.38	99.36	.51	146.80	.77
335H	67	40.50	.19	52.48	.25	76.50	.38	100.46	.52	148.44	.78
350H	70	41.76	.20	54.16	.27	78.96	.40	103.76	.55	153.36	.82
360H	72	42.56	.20	55.28	.28	80.64	.42	106.00	.56	156.72	.84
370H	74	43.42	.21	56.38	.29	82.30	.43	108.20	.57	159.18	.87
375H	75	43.84	.21	56.92	.29	83.12	.43	109.28	.58	161.64	.88
390H	78	45.04	.22	58.56	.30	85.60	.45	112.56	.61	166.64	.91
400H	80	45.92	.23	59.68	.31	87.28	.47	114.80	.63	169.92	.93
420H	84	47.52	.24	61.92	.32	90.56	.49	119.20	.65	176.56	.98
450H	90	50.08	.25	65.20	.35	95.52	.52	125.84	.70	186.40	1.05
480H	96	52.56	.27	68.56	.37	100.48	.56	132.40	.72	196.32	1.12
490H	98	53.36	.27	69.68	.37	102.16	.56	134.64	.72	199.68	1.12
510H	102	54.24	.28	70.80	.39	103.84	.59	136.88	.79	202.96	1.18
540H	108	57.52	.30	75.20	.41	110.48	.63	145.68	.84	216.16	1.25
560H	112	POR	.32	POR	.44	POR	.66	POR	.89	POR	1.32
570H	114	59.20	.32	77.44	.44	113.76	.66	150.08	.89	222.80	1.32
585H	117	POR	.34	POR	.46	POR	.70	POR	.93	POR	1.40
600H	120	62.56	.34	81.84	.46	120.40	.70	158.88	.93	236.00	1.40
630H	126	64.24	.35	84.08	.48	123.68	.73	163.28	.98	242.64	1.47
660H	132	67.52	.37	88.48	.51	130.32	.77	172.12	1.02	255.84	1.54
700H	140	70.88	.39	92.88	.54	136.96	.81	180.96	1.09	269.04	1.64
725H	145	72.56	.41	95.12	.56	140.24	.84	185.36	1.12	275.68	1.75
730H	146	72.90	.41	95.56	.57	140.92	.85	186.24	1.13	277.00	1.77
750H	150	74.24	.42	97.36	.58	143.60	.87	189.76	1.16	282.24	1.87
800H	160	79.20	.45	104.00	.61	150.24	.93	203.04	1.24	302.08	1.93
850H	170	82.56	.48	108.40	.65	160.16	.99	211.84	1.32	315.28	1.99
900H	180	87.52	.51	115.04	.69	170.08	1.04	225.04	1.40	335.12	2.10
1000H	200	95.92	.56	126.08	.77	186.64	1.16	247.12	1.55	368.16	2.32
1100H	220	104.24	.59	137.12	.84	203.20	1.27	269.20	1.71	401.20	2.57
1120H	224	POR	.60	POR	.86	POR	1.30	POR	1.74	POR	2.62
1140H	228	POR	.62	POR	.87	POR	1.32	POR	1.77	POR	2.66
1150H	230	POR	.63	POR	.88	POR	1.33	POR	1.79	POR	2.69
1250H	250	116.80	.70	153.76	.96	228.08	1.46	302.24	1.94	450.80	2.92
1400H	280	129.28	.79	170.32	1.07	252.88	1.62	335.36	2.17	500.32	3.24
1700H	340	154.32	.95	203.52	1.30	302.56	1.95	401.52	2.63	599.44	3.95
2010H	402	POR	1.12	POR	1.54	POR	2.31	POR	3.11	POR	4.67
2360H	472	POR	1.32	POR	1.80	POR	2.71	POR	3.65	POR	5.48

P.O.R. = Price on request

BELTS

SYNCHRONOUS BELTS: CURVILINEAR



The standard trapezoidal tooth timing belt design performs poorly in high torque applications and high power drives at lower speeds. To overcome this disadvantage the curvilinear belt was developed using a more efficient tooth profile.

DID YOU KNOW THAT...

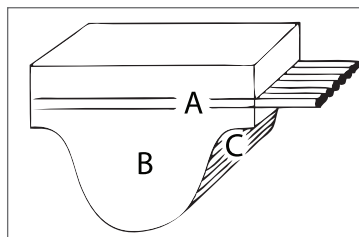
- Our stock 8mm and 14mm curvilinear synchronous belts are listed on the following pages. Non-standard lengths in these pitches are also available, as are belts with 3mm and 5mm pitch.
- Higher torque transmission at low speeds
- High power transmission over a wide speed range
- Improved meshing to reduce tooth jump
- Higher resistance to tooth shear
- Less tooth wear due to friction

HOW TO ORDER

EXAMPLE: **HTB13048M020**

HTB	1304	8M	020
------------	-------------	-----------	------------

HTB: HIGH TORQUE BELT
1304: BELT PITCH LENGTH (1304mm)
8M: TOOTH PITCH (8mm)
020: BELT WIDTH (20mm)



A. A high-modulus fiberglass cord is wound across the entire width of the belt pitch line insuring minimal stretch and resistance to repeated flexing.

B. The body is a synthetic neoprene compounded to resist flex fatigue, heat, ozone, mineral lubricating oils and aging.

C. A tough nylon fabric is bonded to the tooth surface for wear resistance.

8MM

Belt Length & Pitch Code	No. of Teeth	Width(mm)							
		020		030		050		085	
		List Price	Approx. Weight (lbs.)	List Price	Approx. Weight (lbs.)	List Price	Approx. Weight (lbs.)	List Price	Approx. Weight (lbs.)
376-8M	47	25.56	.10	36.00	.16	57.40	.27	95.40	.45
424-8M	53	25.56	.11	36.00	.18	57.40	.30	95.40	.50
472-8M	59	P.O.R.	.12	P.O.R.	.20	P.O.R.	.33	P.O.R.	.55
480-8M	60	25.56	.13	36.00	.20	57.40	.34	95.40	.57
536-8M	67	26.40	.14	37.60	.23	60.20	.38	100.40	.63
560-8M	70	27.60	.16	39.40	.23	63.00	.39	104.80	.66
600-8M	75	29.00	.17	41.60	.25	66.60	.42	111.00	.71
624-8M	78	29.30	.18	41.90	.26	67.36	.43	112.36	.74
632-8M	79	29.40	.18	42.00	.27	67.60	.44	112.80	.75
640-8M	80	29.80	.18	42.60	.27	68.40	.45	114.20	.76
656-8M	82	30.24	.18	43.24	.28	69.52	.46	116.08	.78
720-8M	90	32.00	.20	45.80	.30	74.00	.50	123.60	.85
776-8M	97	34.10	.21	49.02	.32	79.18	.54	132.42	.93
784-8M	98	34.40	.21	49.48	.32	79.92	.55	133.68	.94
800-8M	100	35.00	.22	50.40	.33	81.40	.56	136.20	.96
840-8M	105	36.10	.24	52.00	.35	84.20	.58	140.90	.99
880-8M	110	37.20	.25	53.60	.37	87.00	.61	145.60	1.05
912-8M	114	38.08	.26	54.88	.38	89.24	.63	149.36	1.09
920-8M	115	38.30	.26	55.20	.38	89.80	.64	150.30	1.10
960-8M	120	39.40	.27	56.80	.40	92.60	.67	155.00	1.14
1040-8M	130	41.60	.29	60.20	.43	98.00	.74	164.40	1.24
1120-8M	140	43.80	.31	63.40	.47	103.60	.78	173.80	1.33
1152-8M	144	46.20	.34	66.80	.50	109.20	.84	183.20	1.46
1200-8M	150	46.20	.34	66.80	.50	109.20	.84	183.20	1.42
1224-8M	153	47.30	.35	68.40	.51	112.00	.85	187.90	1.45
1280-8M	160	48.40	.36	70.00	.53	114.80	.89	192.60	1.51
1304-8M	163	49.06	.37	71.00	.54	116.46	.91	195.52	1.54
1328-8M	166	49.72	.37	71.98	.55	118.10	.93	198.24	1.57
1360-8M	170	50.60	.38	73.30	.57	120.30	.95	202.00	1.61
1424-8M	178	52.36	.40	75.94	.59	124.70	1.00	209.52	1.69
1440-8M	180	52.80	.40	76.60	.60	125.80	1.01	211.40	1.71
1600-8M	200	57.40	.45	83.20	.67	137.00	1.11	230.40	1.90
1760-8M	220	61.80	.49	89.80	.73	148.00	1.23	249.00	2.07
1800-8M	225	63.20	.50	91.80	.75	151.80	1.25	255.40	2.12
2000-8M	250	69.20	.56	100.60	.83	166.60	1.39	280.40	2.36
2104-8M	263	72.20	.60	112.80	.88	174.00	1.50	292.60	2.45
2248-8M	281	76.48	.64	115.42	.94	184.78	1.58	311.06	2.63
2400-8M	300	81.00	.68	118.20	1.00	196.20	1.66	330.60	2.82
2600-8M	325	87.60	.74	127.20	1.08	213.40	1.80	356.80	3.06
2800-8M	350	93.00	.80	135.60	1.16	225.80	1.92	380.92	3.29
4400-8M	550	141.60	1.25	201.60	1.32	343.20	3.01	590.60	5.16

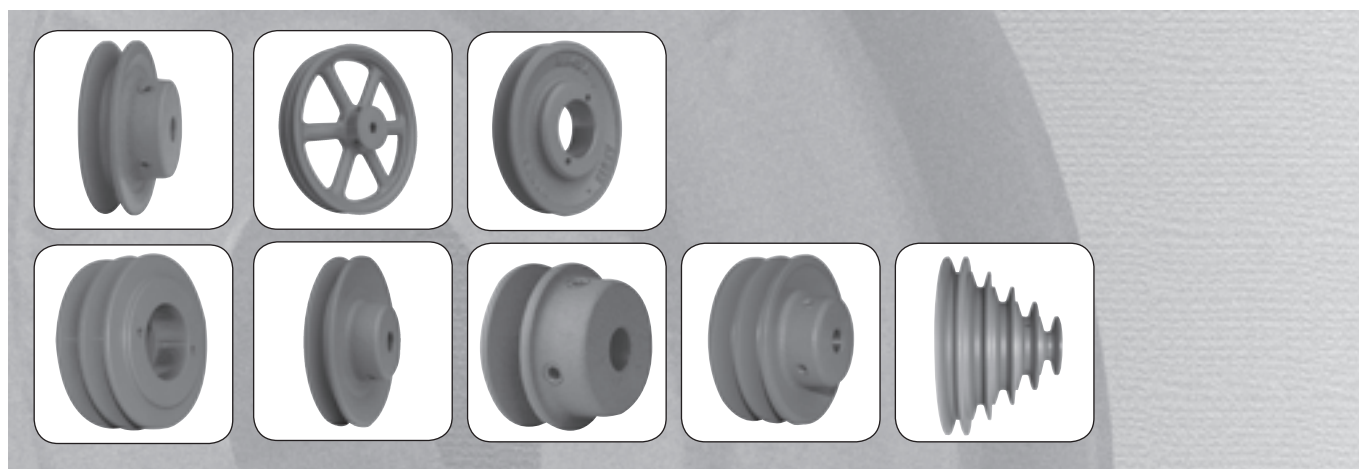
P.O.R. = Price on request

BELTS

14MM

Belt Length & Pitch Code	No. of Teeth	Width(mm)									
		040		055		085		115		170	
		List Price	Approx. Weight (lbs.)	List Price	Approx. Weight (lbs.)	List Price	Approx. Weight (lbs.)	List Price	Approx. Weight (lbs.)	List Price	Approx. Weight (lbs.)
966-14M	69	187.00	.84	250.20	1.15	364.20	1.78	484.20	2.40	700.40	3.55
1190-14M	85	209.60	1.02	276.40	1.42	404.20	2.20	539.20	2.98	780.40	4.39
1400-14M	100	228.00	1.20	302.00	1.67	443.60	2.57	592.40	3.50	859.00	5.15
1610-14M	115	246.80	1.40	329.00	1.92	484.00	2.95	647.20	4.02	939.20	5.95
1778-14M	127	263.40	1.52	350.60	2.13	516.20	3.25	691.20	4.45	1003.20	6.55
1890-14M	135	276.60	1.62	368.80	2.25	544.00	3.49	728.80	4.73	1058.20	6.95
2100-14M	150	301.40	1.80	403.00	2.50	596.20	3.88	799.40	5.25	1161.60	7.75
2310-14M	165	321.00	2.00	429.20	2.75	636.00	4.26	852.80	5.75	1239.80	8.50
2450-14M	175	334.20	2.12	446.80	2.93	662.40	4.52	888.40	6.10	1292.00	9.00
2590-14M	185	350.40	2.25	469.40	3.10	696.20	4.78	934.00	6.45	1358.80	9.55
2800-14M	200	374.80	2.43	503.20	3.34	747.00	5.15	1002.40	7.00	1459.20	10.30
3150-14M	225	411.40	2.73	553.60	3.77	824.20	5.80	1107.20	7.85	1614.40	11.60
3360-14M	240	430.80	2.90	581.40	4.02	865.40	6.20	1163.40	8.35	1696.80	12.35
3500-14M	250	444.20	3.00	599.60	4.19	893.00	6.45	1201.60	8.75	1751.40	12.90
3850-14M	275	489.00	3.30	666.20	4.60	989.40	7.10	1331.60	9.62	1937.00	14.20
4326-14M	309	543.20	3.70	734.40	5.17	1098.80	8.00	1480.00	10.80	2161.60	15.95
4578-14M	327	574.00	3.92	778.80	5.48	1159.60	8.45	1566.00	11.40	2245.00	16.90

CROSS REFERENCE LISTING



You can quickly and easily find matches for most competitor part numbers in the Baldor•Maska e-CATALOG and Baldor VIP 3.0 on-line site.

www.maskapulley.com