

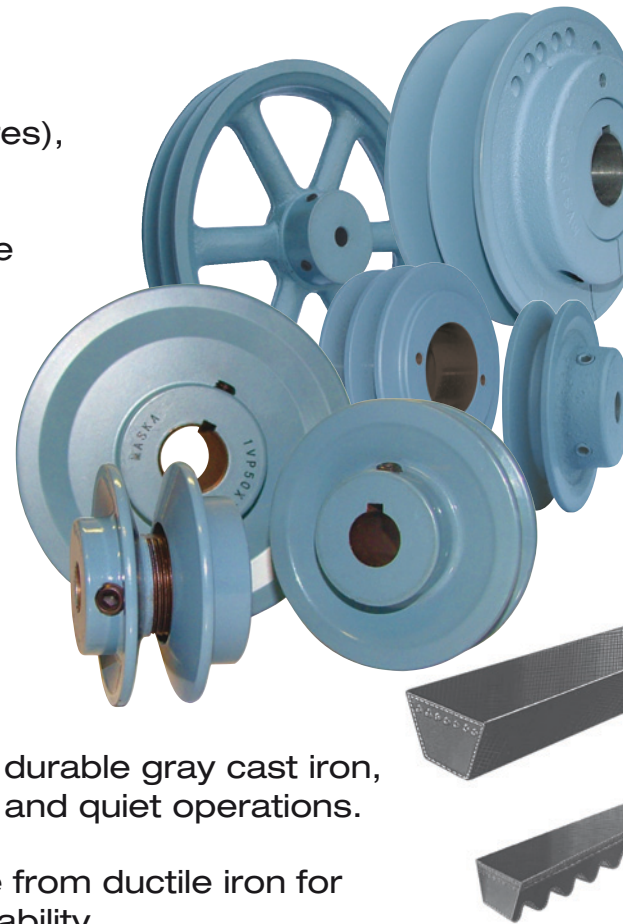
Servicing the HVAC Industry

Manufacturing & Parts Replacement Markets



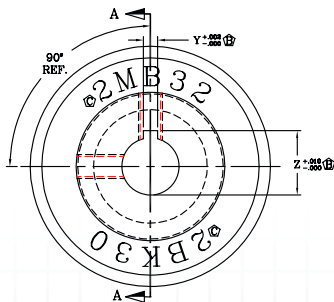
COMPLETE LINE of Product IN STOCK

- Adjustable Pitch Sheaves - VP Series, 8000 Series (including metric bores), light duty MVL, heavy duty MVS
- Light Duty Sheaves - Fixed bore & Bush type
- QD Bushings & Sheaves
- V-Belts



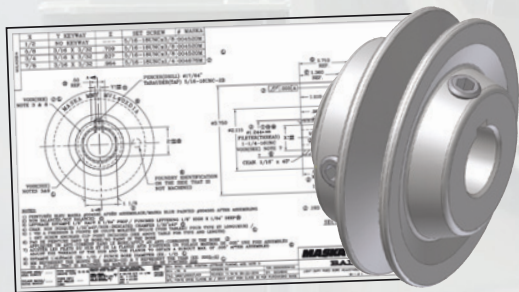
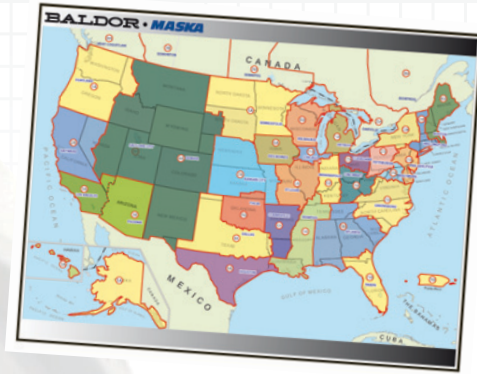
QUALITY ASPECTS

- ALL sheaves made from durable gray cast iron, class 30, for long-lasting and quiet operations.
- Most QD Bushings made from ductile iron for greater strength and durability.
- Fixed Bore light duty Sheave Series has two set screws for secured shaft grip.
- ISO 9001 Manufacturer.



BALDOR • MASKA ADVANTAGE

- Quick delivery & adapted local inventory for guaranteed replenishment with volume usage
- Deep inventory across North America
- Kitting services available: (one drive, one box upon request)



- On-line 2D & 3D CAD drawings
- Easy drive selection program
- e-Store (VIP) - check stock, place orders, track shipments
- e-Catalog - all cross references accepted
- And more...

BALDOR

Baldor Electric Company

P.O. Box 2400 • Fort Smith, AR 72902-2400 U.S.A.

Phone (479) 646-4711 • Fax (479) 648-5792 • International Fax (479) 648-5895

www.baldor.com • www.maskapulleys.com