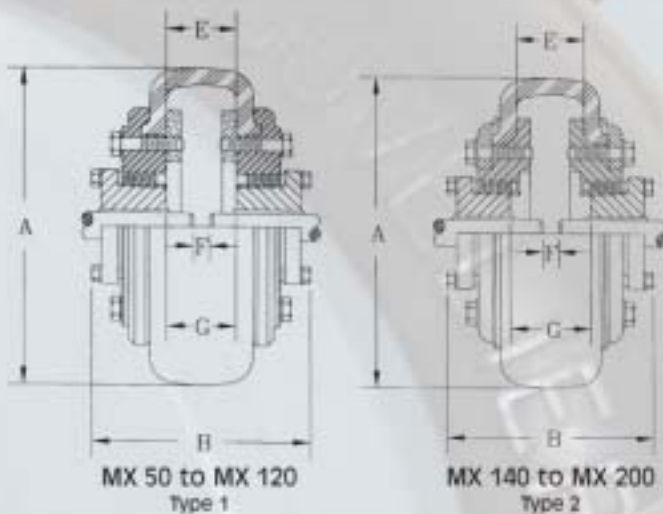


Best
elastomeric element
construction available
in the industry

Most suitable coupling
for applications with shock loads,
angular misalignment up to 4° and end float up to 1/4 inches

"Q.D." style
Easier installation and dismounting than any other style
Greater versatility than fixed bore style, without damaging shafts

No lubrication required; clean and low maintenance



HOW TO ORDER YOUR COUPLING

Prefix Significations

MX Complete coupling = 2 flanges + 1 tire
MXF 1 flange only
P Tire only (element)

Complete Coupling Part No.	List Price w/o Bushing			Stock Bores		Type	Dimensions (inches)							Weight (lbs.)		
	Complete Coupling	Tire only	Flange only	Min.	Max.		A	B	C	D	E	F	G	Complete	Flange	Tire
MX50JA	114.00	40.00	37.00	1/2	1 1/4	1	5 1/4	3 15/16	3 3/4	3 9/16	.96	*	1 9/16	4.7	2.1	0.5
MX60SH	151.00	47.00	52.00	1/2	1 11/16	1	6 1/2	4 9/16	4 11/32	4 1/8	1.28	*	1 5/8	8.0	3.5	1.0
MX70SDS	201.00	65.00	68.00	1/2	2	1	7 3/8	4 17/32	4 5/16	4 1/8	1.50	*	1 1/2	10.7	4.7	1.3
MX80SK	265.00	87.00	89.00	1/2	2 5/8	1	8 3/8	5 13/16	5 17/32	5 1/4	1.50	*	1 1/2	15.5	6.9	1.7
MX90SK	335.00	93.00	121.00	1/2	2 5/8	1	9 1/4	5 13/16	5 1/2	5 1/4	1.53	*	1 1/2	22.0	10.0	2.0
MX100SF	411.00	101.00	155.00	1/2	2 15/16	1	10	6 3/16	5 13/16	5 1/2	1.71	*	1 1/2	32.0	15.0	2.0
MX110SF	457.00	115.00	171.00	1/2	2 15/16	1	11	5 7/8	5 1/2	5 3/16	1.56	*	1 3/16	46.0	21.5	3.0
MX120E	529.00	129.00	200.00	7/8	3 1/2	1	12 3/8	7 1/4	6 7/8	6 1/2	1.75	*	1 1/4	59.8	28.0	3.8
MX140F	918.00	210.00	354.00	1	4	2	14 1/8	9 1/2	9 1/16	8 5/8	2.06	*	1 3/8	132.5	64.0	4.5
MX160J	1352.00	252.00	550.00	1 7/16	4 1/2	2	16 5/8	11 1/2	10 7/8	10 3/8	2.69	*	1 3/8	208.7	100.0	8.7
MX200J	2043.00	463.00	790.00	1 7/16	4 1/2	2	20	11 3/4	11 5/16	10 13/16	3.31	*	1 13/16	366.0	174.0	18.0

- * Shaft ends, although normally "G" distance apart, can project beyond the bushings and thus be closer together.
If this occurs, allow space between shaft ends for endfloat and misalignment.

Please refer to Maska Product Catalog for torque ratings, main features, service factors, selection guide and RPM range.

Revolutionary Reinforced Elastomeric Element

Maska's European-designed and manufactured "X-Tork" tire makes our product the best on the market!



Thermally stabilized natural rubber bonded together with double-woven textile cords and cord-reinforced bead for greater torque capacity (see photo insert)

Ridged extremity and inner side-walls designed for enhanced grip of the flanges



SUPERIOR PRODUCT CONSTRUCTION AND DESIGN

MASKA

1.800.463.8928

Transactional Web Site: www.maskaEZ-shelf.com
Corporate Web Site: www.maskapulleys.com
E-mail: sales@maskapulleys.com

Your Authorized Maska Distributor:

MASKAFLEX

Elastomeric
"Tire" Couplings



**Forgiving
Minimal maintenance
Durable**